

Flow Control Valve BG 12 Technical Data Sheet



- Flow from 10 cm³/min
- Reproducibility even with low flow rates
- Fluid flow can be controlled nearly independently of pressure and viscosity
- Sensitive adjustment

Technical Data

General

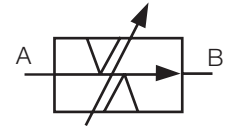
Type of valve	gap-type throttle valve
Operation	rotary knob
Angle of rotation, 1 rotation	330°
Valve mounting	thread M30x1.5
Connection of ports	mounting hole
Mounting position	mountable in any position
Ambient temperature	-5°C to +50°C
Mass valve	0,6 kg

Hydraulic

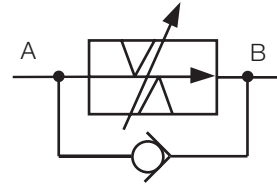
Operation pressure A, B	max. 150 bar
Hydraulic oil temperature	-10 to +70 °C
Viscosity range	10 to 300 mm ² /s
Rate of flow	max. 6 l/min

Symbol

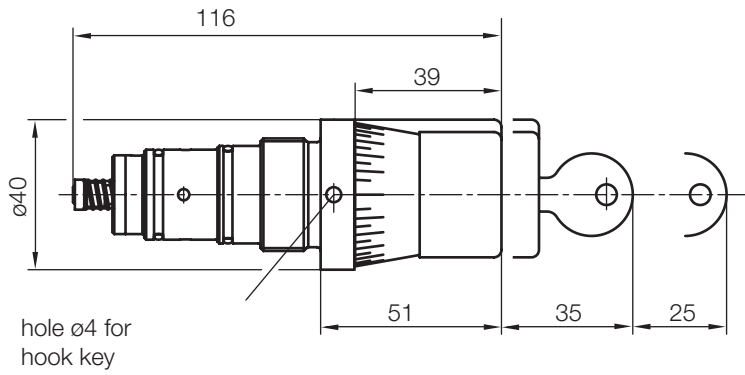
20



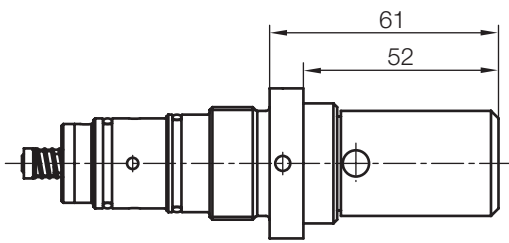
21



Dimensional Drawing

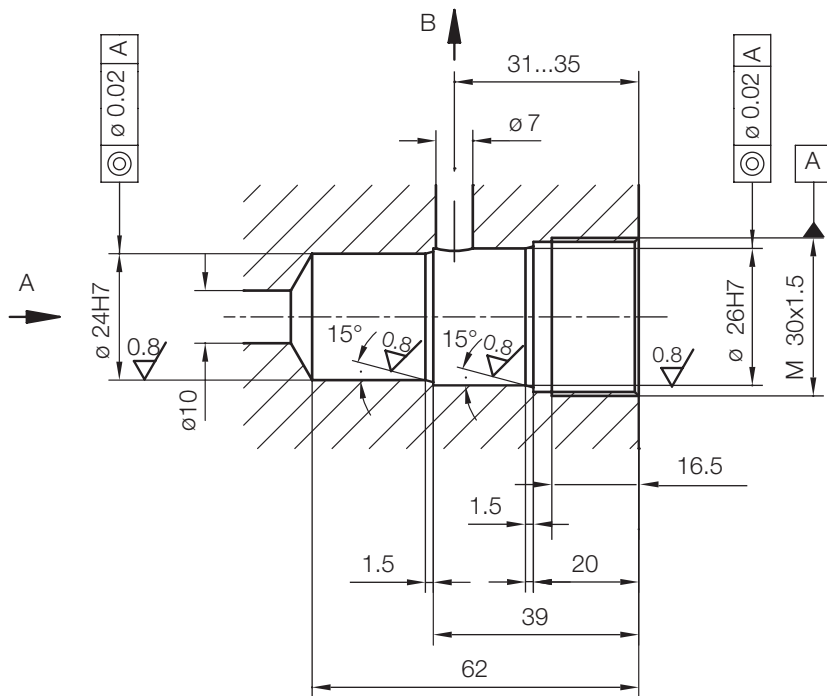


actuation D and V



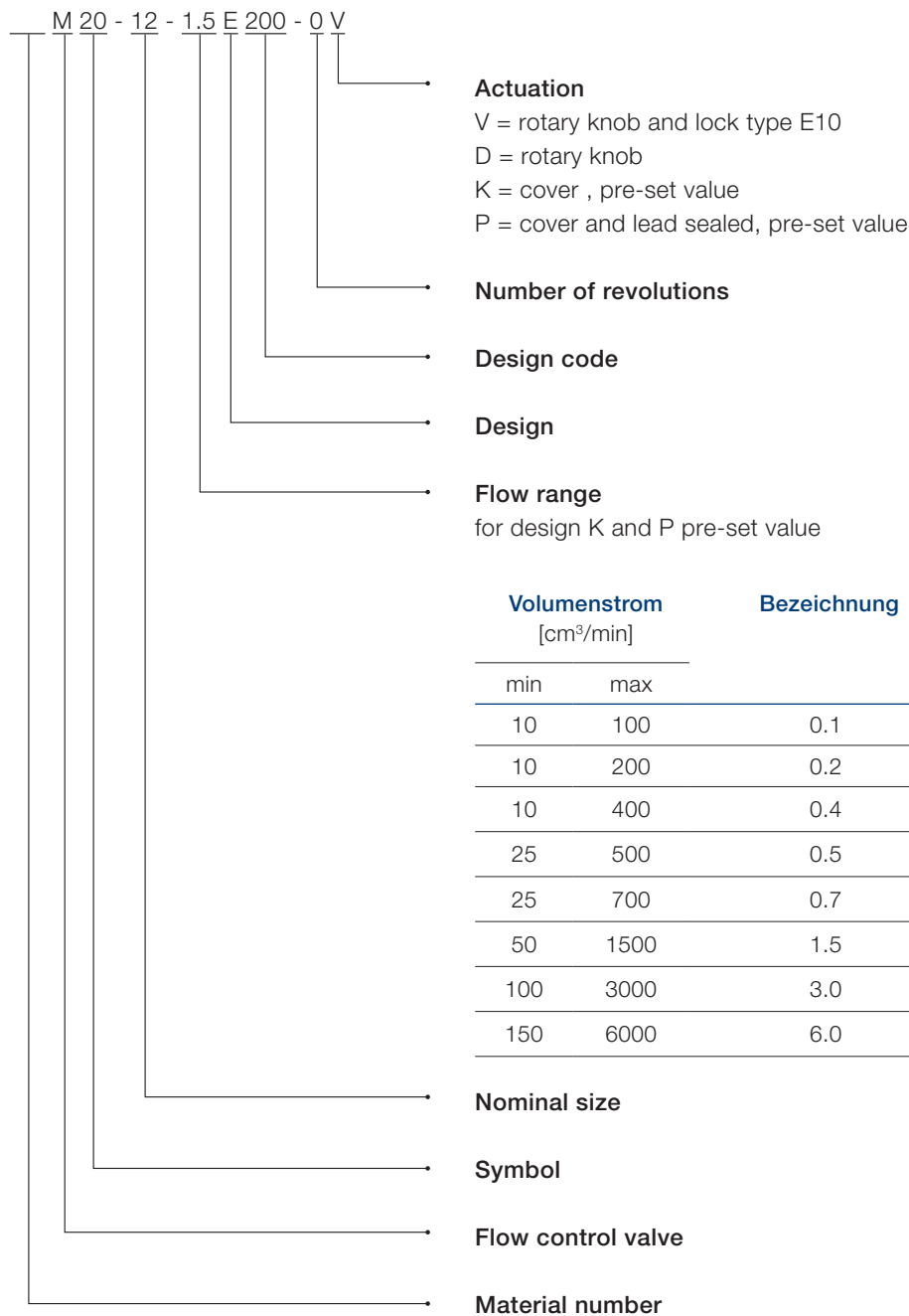
actuation K and P

Mounting Hole



all Dimensions in mm

Typenschlüssel



Voith Turbo H + L Hydraulic GmbH & Co. KG
 Schuckertstraße 15
 71277 Rutesheim, Germany
 Tel. +49 7152 992 3
 Fax +49 7152 992 400
 sales-rut@voith.com
 www.voith.com/hydraulic-systems



VOITH
 Engineered Reliability